

Stacker truck 1.2 ton

BT staxio

P-series

SPE120XR



Pedestrian stacker

| Specifications | | | | SPE120XR | |
|------------------|---|--|--------------------------------|-----------------|----------------------------------|
| Identification | 1.1 | Manufacturer | | | Toyota |
| | 1.2 | Model | | | SPE120XR |
| | 1.3 | Drive | | | Electric |
| | 1.4 | Operator type | | | Stand on/Pedestrian |
| | 1.5 | Load capacity/rated load | Q | kg | 1200 |
| | 1.6 | Load center | c | mm | 600 |
| | 1.8 | Load distance, centre of support arm wheel to face of forks | x | mm | DXT/DXH = 677, TX = 660 |
| | 1.9 | Wheelbase | y | mm | 1515 |
| | Weight | 2.1 | Service weight incl. battery | | kg |
| 2.3 | | Axle load, mast retracted without load, drive/fork wheel | | kg | 1255/620 |
| 2.4 | | Axle load, mast extended with load, drive/fork wheel | | kg | 280/2795 |
| 2.5 | | Axle load, mast retracted with load, drive/fork wheel | | kg | 1235/1840 |
| Wheels | | 3.1 | Drive/caster/fork wheel | | |
| | 3.2 | Wheel size, front | | mm | 250 |
| | 3.3 | Wheel size, rear | | mm | 140 |
| | 3.7 | Track width, rear | b ₁₁ | mm | 810/995 |
| Dimensions | 4.2 | Height, mast lowered | h ₁ | mm | 2224 |
| | 4.3 | Free lift | h ₂ | mm | 1734 |
| | 4.4 | Lift | h ₃ | mm | 4750 |
| | | Lift height | h ₂₃ | mm | 4800 |
| | 4.5 | Height, mast extended | h ₄ | mm | 5320 |
| | 4.8 | Stand height | h ₇ | mm | 190 |
| | 4.9 | Height of tiller in drive position, min./max. highest setting | h ₁₄ | mm | 1201/1413 |
| | | lowest setting | h ₁₄ | mm | 1101/1313 |
| | 4.10 | Height of support arms | h ₈ | mm | 160 |
| | 4.15 | Height, fork lowered | h ₁₃ | mm | 50 |
| | 4.19 | Overall length, platform up/down | l | mm | 2005/2455 |
| | 4.20 | Length to face of forks, platform up/down | l ₂ | mm | 1095/1520 |
| | 4.21 | Overall width | b ₁ /b ₂ | mm | 900/1085 |
| | 4.22 | Fork dimensions | s/e/l | mm | 40/100/1150 |
| | 4.25 | Width over forks | b ₅ | mm | Wide = 250-750, Narrow = 250-570 |
| | 4.26 | Distance between support arms | b ₄ | mm | 665/850 |
| | 4.28 | Reach distance | l ₄ | mm | 790 |
| 4.31 | Ground clearance, below mast | m ₁ | mm | 30 | |
| 4.32 | Ground clearance, center of wheelbase | m ₂ | mm | 40 | |
| 4.33 | Aisle width for pallets 1000x1200 crossways, platform up/down | A _{st} | mm | 2641/3091 | |
| 4.34 | Aisle width for pallets 800x1200 lengthways, platform up/down | A _{st} | mm | 2618/3068 | |
| 4.35 | Turning radius, platform up/down | W _a | mm | 1760/2210 | |
| 4.37 | Length across support arms, platform up | l ₇ | mm | 1830 | |
| Performance data | 5.1 | Travel speed, with/without load 6 km/h version | | km/h | 6,0/6,0 |
| | | 8 km/h version | | km/h | 7,0/8,0 |
| | 5.2 | Lift speed, with/without load | | m/s | 0,20/0,36 |
| | 5.3 | Lowering speed, with/without load | | m/s | 0,45/0,45 |
| | 5.4 | Reach speed, with/without load | | m/s | 0,15/0,15 |
| | 5.8 | Max. gradeability, with/without load ¹⁾ | | % | 8/10 |
| | 5.9 | Acceleration time (over 10 m) | | s | 5,7 |
| 5.10 | Service brake | | | Electromagnetic | |
| Electric motor | 6.1 | Drive motor rating (S2 60min) 6 km/h version | | kW | 1,8 |
| | | 8 km/h version | | kW | 1,8 |
| | 6.2 | Lift motor rating (S3 15%) | | kW | 3,0 |
| | 6.4 | Battery voltage, nominal capacity K _s | | V/Ah | 24/300 |
| | 6.5 | Battery weight | | kg | 195-270 |
| | 6.6 | Energy consumption acc to VDI cycle | | kWh/h | 1,22 |
| Others | 8.1 | Type of drive control | | | Variable AC |
| | 8.4 | Sound level at the driver's ear according to EN 12 053 | | dB (A) | 59 |

1) Measured according to company standard.

Data is based on standard truck and small battery.

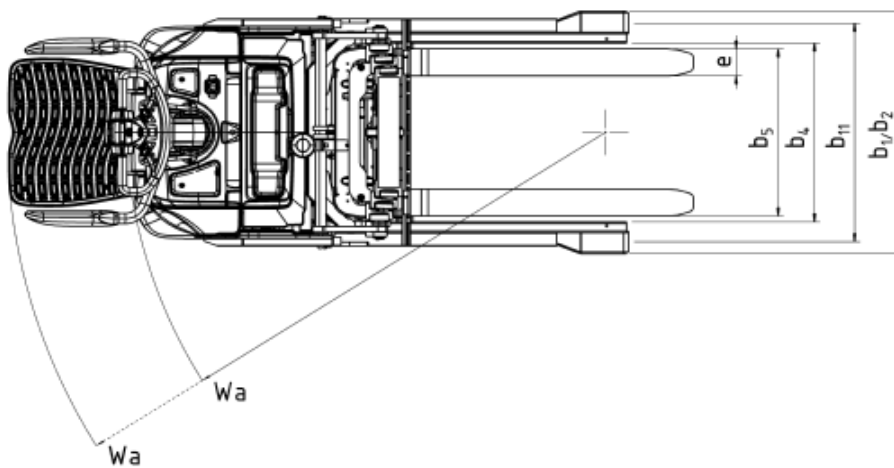
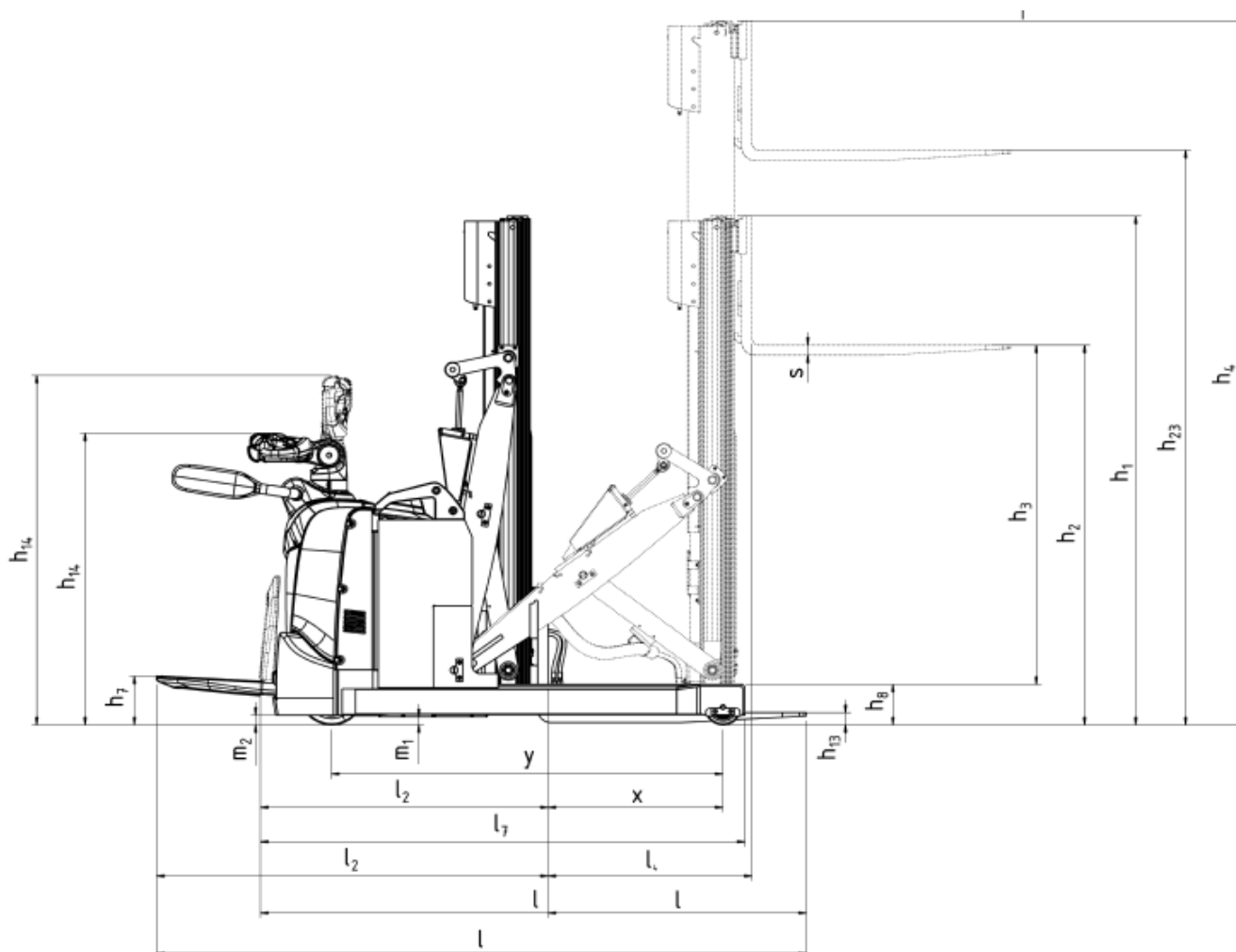
All data are based on table configuration. Other configurations may give other values.

Truck performance and dimensions are nominal and subject to tolerances.

Toyota Material Handling Manufacturing Sweden AB products and specifications are subject to change without notice.

Mast dimensions

| SPE120XR | | | Duplex Tele | | | | | | | Duplex Hi-Lo | | | | | | | Triplex Hi-Lo | | | | |
|----------|------------------------------|----|-------------|------|------|------|------|------|------|--------------|------|------|------|------|------|------|---------------|------|------|------|--|
| h_{23} | Lift height ($h_{13}+h_3$) | mm | 2300 | 2450 | 2750 | 3250 | 3650 | 4100 | 2350 | 2500 | 2800 | 3300 | 3700 | 4150 | 3300 | 3700 | 3950 | 4150 | 4500 | 4800 | |
| h_3 | Lift | mm | 2250 | 2400 | 2700 | 3200 | 3600 | 4050 | 2300 | 2450 | 2750 | 3250 | 3650 | 4100 | 3250 | 3650 | 3900 | 4100 | 4450 | 4750 | |
| h_1 | Height, mast lowered | mm | 1722 | 1797 | 1947 | 2197 | 2397 | 2622 | 1722 | 1797 | 1947 | 2197 | 2397 | 2622 | 1724 | 1857 | 1940 | 2007 | 2124 | 2224 | |
| h_2 | Free lift | mm | 132 | 132 | 132 | 132 | 132 | 132 | 1242 | 1316 | 1466 | 1716 | 1916 | 2142 | 1234 | 1366 | 1450 | 1516 | 1634 | 1734 | |
| h_4 | Height, mast extended | mm | 2798 | 2948 | 3248 | 3748 | 4148 | 4598 | 2880 | 3030 | 3330 | 3830 | 4230 | 4680 | 3820 | 4219 | 4468 | 4669 | 5020 | 5320 | |



Truck features:

- 180°+ Power/Electronic steering
- Optimised Truck Performance
- Reach mast with Pantograph fork mechanism
- Mast tilt
- Adjustable fork width
- Sensi-lift
- Height adjustable tiller arm
- One-touch foldable gates
- Click-2-Creep
- Electronic fingertip controls for all functions
- Access control
- Driver-adapted programmable performance
- Easy access for maintenance
- Sideshift and spreader attachment (option)
- I_Site (option)
- Li-Ion battery (option)
- Coldstore version (option)

